

LINEPULS

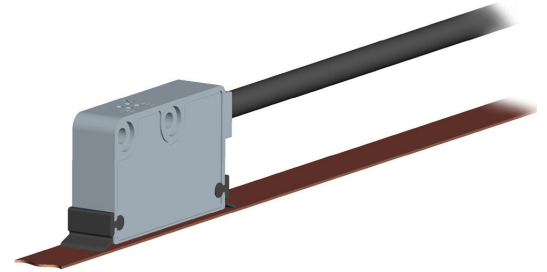
Magnetic sensor with SIN/COS output

series

SMS11



- Magnetic sensor for linear and torque motors
- Sine-Cosine 1Vpp real-time output
- Unaffected by dust, debris or liquids, IP67
- Status LED for clearance error and A, B signals
- Optional tape cleaning wipers
- Lika Hi-flex cable



SMS11

ENVIRONMENTAL SPECIFICATIONS

Operating temperature range:	-25°C ÷ +85°C (-13°F, +185°F)
Storage temperature range:	-40°C ÷ +100°C (-40°F, +212°F)
Protection:	IP67

MECHANICAL SPECIFICATIONS

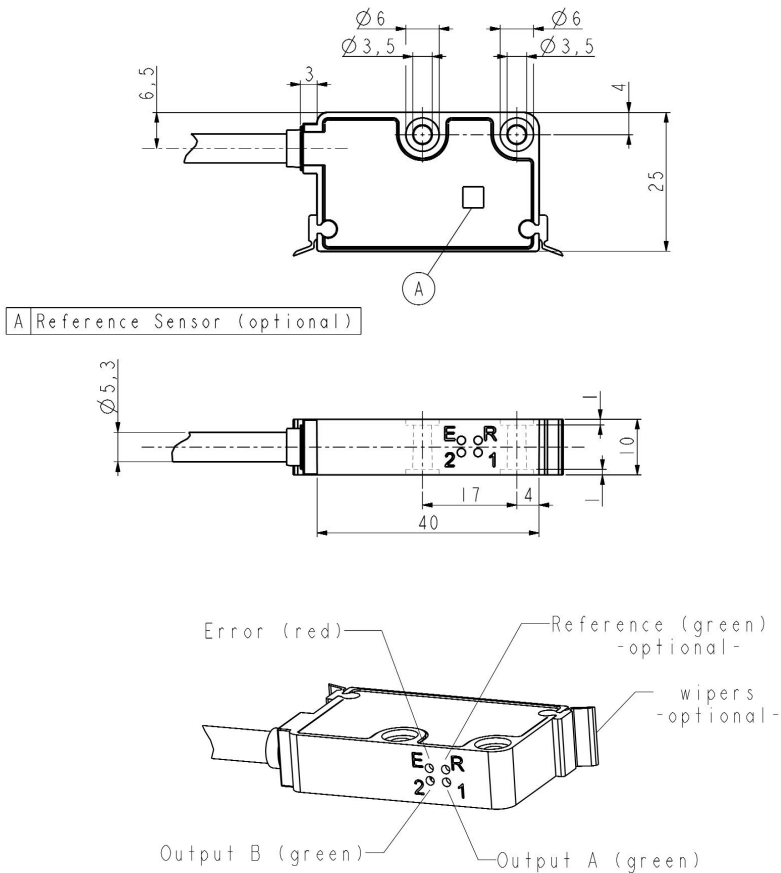
Dimensions:	see drawing
Housing:	die cast aluminium, UNI EN AC-46100
Connection:	Lika Hi-flex cable M8, 2,0 m
Gap sensor-magnetic tape (without cover strip):	0,1 ÷ 0,5 mm
Travel speed:	max 16 m/s (mechanical)
Period length:	1000 µm
Repeatability:	max 1% of period length

ELECTRICAL SPECIFICATIONS

Power supply:	+5Vdc ±5%
Output circuits:	1Vpp
Output signals:	sine/cosine, ABI /ABI
Counting frequency:	max. 8 kHz (~ 8 m/s)
Output current (per channel):	40 mA max
Input current:	70 mA max
EMC:	acc. to EN 61000-6-2 level 3
Protection:	against short-circuit

ACCESSORIES

MT10:	Magnetic tape
KIT LKM-1722:	Wipers for SMSxx/SMExx, 10 pcs
LKM-1440:	Tape terminals
LKM-1309/1:	Reference pole support



SMS11

ORDERING CODE

